

Quick Setup



1 Unboxing

2 Power

Connect USB battery pack (output 5V, 1A or 2A recommended) **or** Insert 6 x batteries AA

3 Adjust Offset

Muzzle distance from Labradar

6" or less Good (recommended)	12" or less Good	18" or less Big calibers (if necessary)
--	----------------------------	--

4 Velocity Range

Select velocity range menu:

	Vmin (fps)	Vmax (fps)
Rifle	1600	3900
Handgun	600	1600
Bow/Crossbow	66	600

5 Set Distance for velocity measurement

Power Factor calculated at dx 1
Enter weight for PF

6 Trigger Source

External trigger accessory

- Airgun adapter
- Bow/Crossbow adapter

7 Align Notch with Target

8 Get Ready to Fire

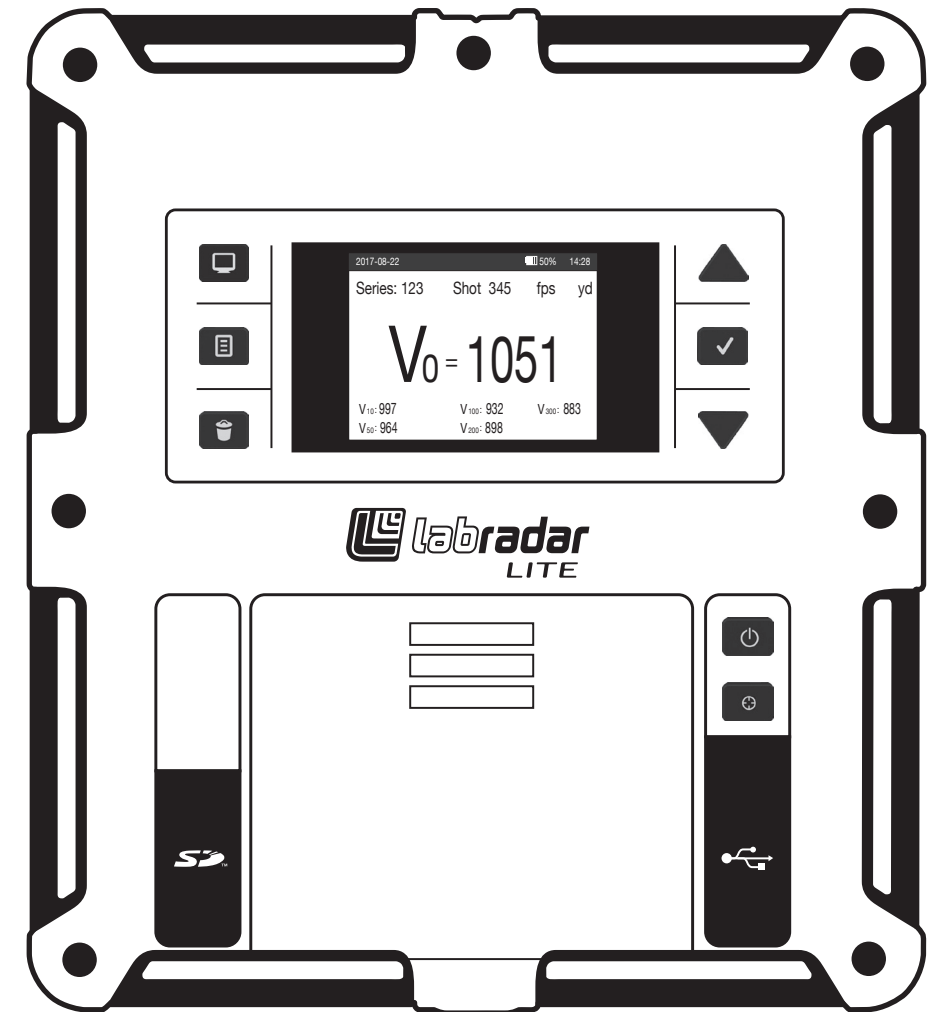
How to arm

PRESS ONCEBLUE LED = REVIEW MODE

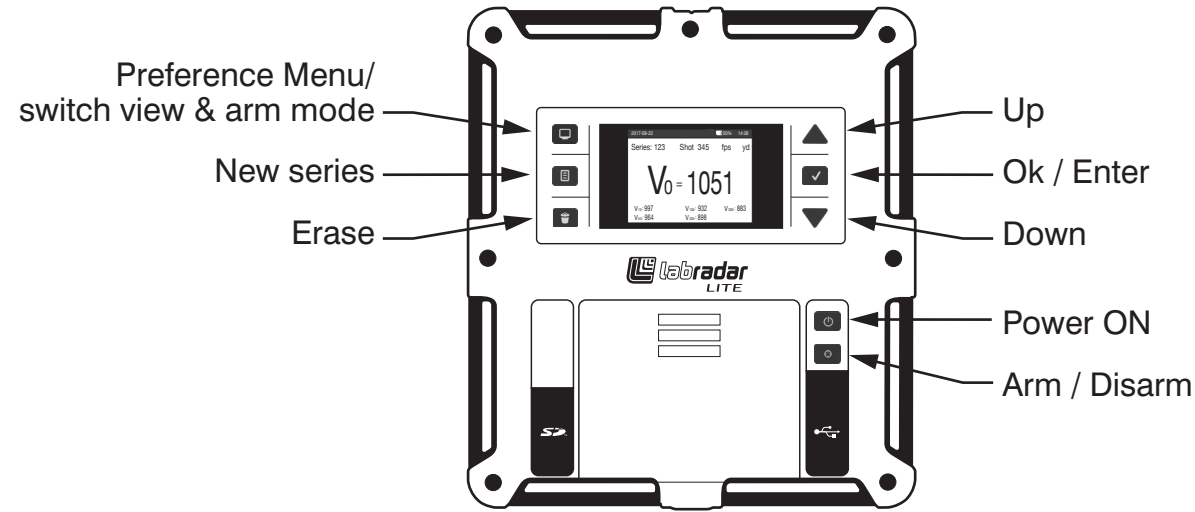
PRESS TWICEORANGE LED = ARMED / READY

HOLD 2 SECDISARMED AND ACCESS PARAMETER MENU

QUICK SETUP



Useful Tips



Target material

Wood	Paper Cardboard	Metal
BEST	BEST	NOT RECOMMENDED

At a shooting range with multiple Labradar

		Recommended TX channel spacing
Lane 1		1
Lane 2		3
Lane 3		5

Use Low Power Mode when...

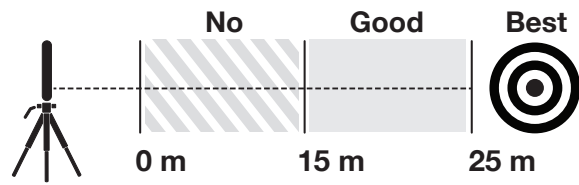
- Indoor Range
- Short range (<25 m)
- Obstacles
- Baffles

Recommended mounting configuration

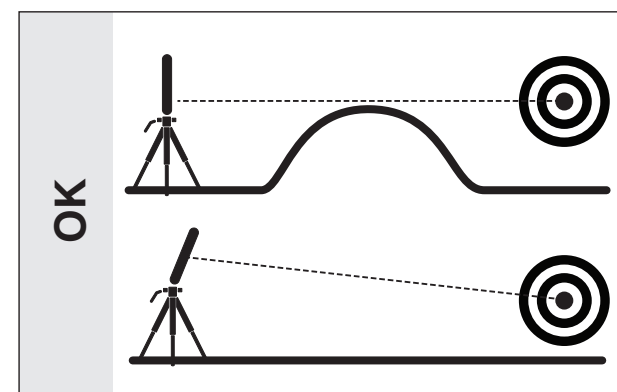
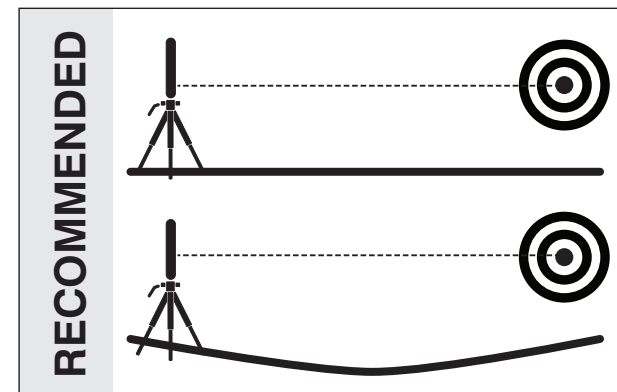


- To avoid vibrations, add a sandbag or weight under the tripod.
- * Vibrations will cause velocity reading problems.
- Isolate the Labradar from the muzzle blast.

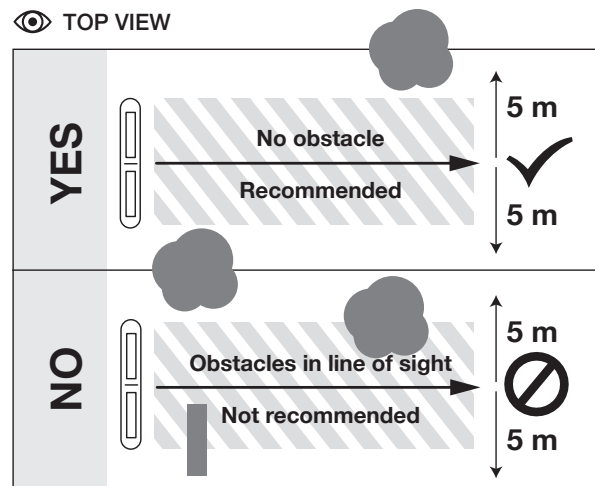
Recommended distance from target



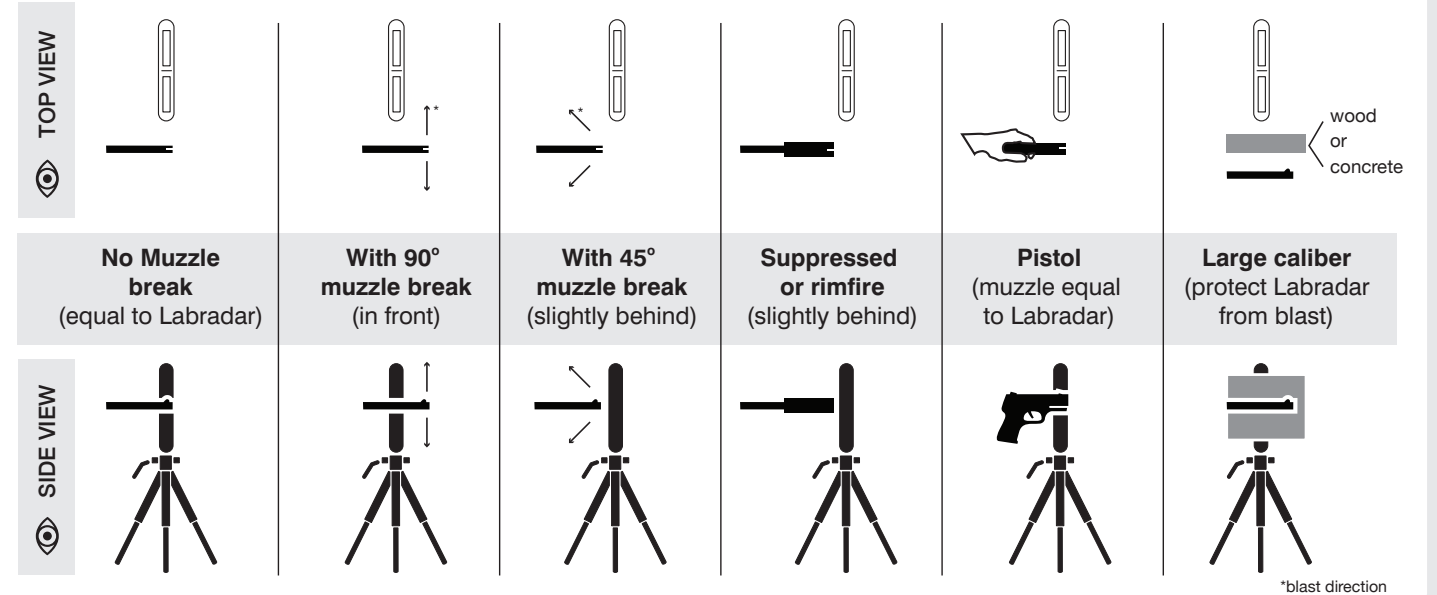
Range recommendations



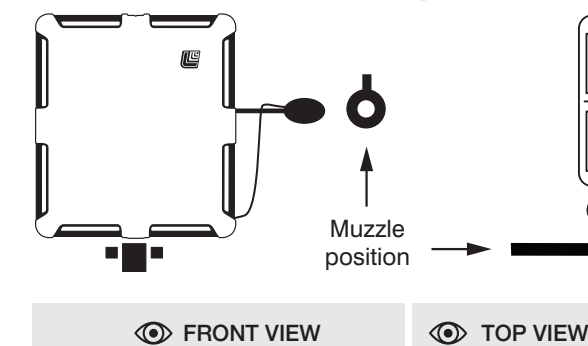
Recommended range configuration



Muzzle position



With external microphone



Trigger Level

