

Quick Setup



1 Unboxing

2 Power

Connect USB battery pack (output 5V, 1A or 2A recommended) **or** Insert 6 x batteries AA

3 Adjust Offset

Muzzle distance from Labradar

6" or less Good (recommended)	12" or less Good	18" or less Big calibers (if necessary)
--	----------------------------	--

4 Velocity Range

Select velocity range menu:

	Vmin (fps)	Vmax (fps)
Rifle	984	3900
Handgun	400	1722
Bow/Crossbow	66	738

5 Set Distance for velocity measurement

Power Factor calculated at dx 1
Enter weight for PF

6 Trigger Source

External trigger accessory

- Airgun adapter
- Bow/Crossbow adapter

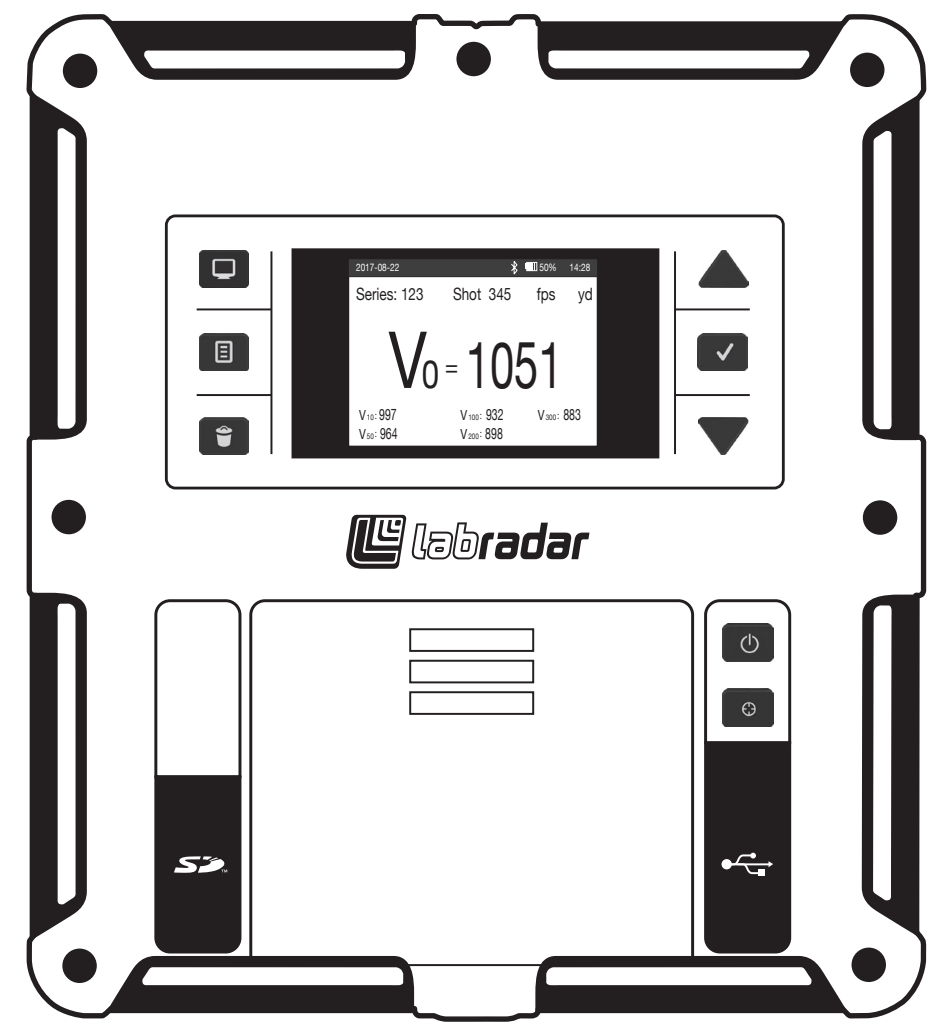
7 Align Notch with Target

8 Get Ready to Fire

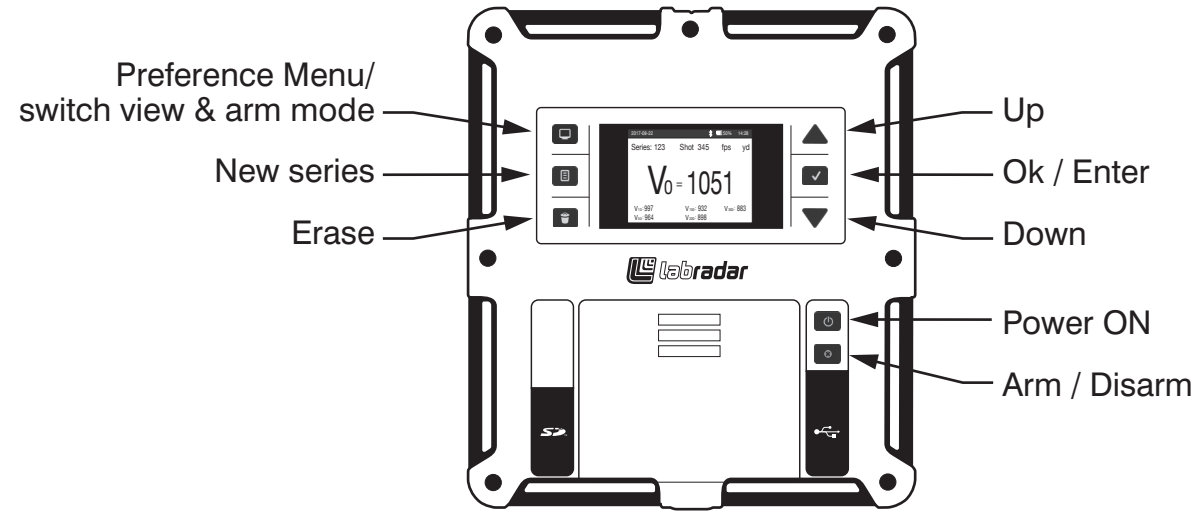
How to arm

PRESS ONCEBLUE LED = REVIEW MODE
 PRESS TWICEORANGE LED = ARMED / READY
 HOLD 2 SECDISARMED AND ACCESS
 PARAMETER MENU

QUICK SETUP



Useful Tips



Target material

Wood	Paper Cardboard	Metal
BEST	BEST	NOT RECOMMENDED

At a shooting range with multiple Labradar

		Recommended TX channel spacing
Lane 1		1
Lane 2		3
Lane 3		5

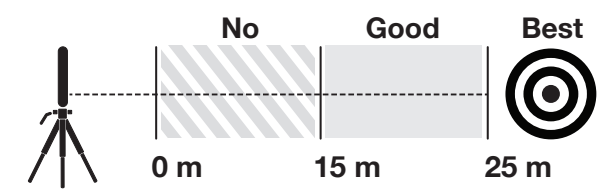
Use Low Power Mode when...

- Indoor Range
- Short range (<25 m)
- Obstacles
- Baffles

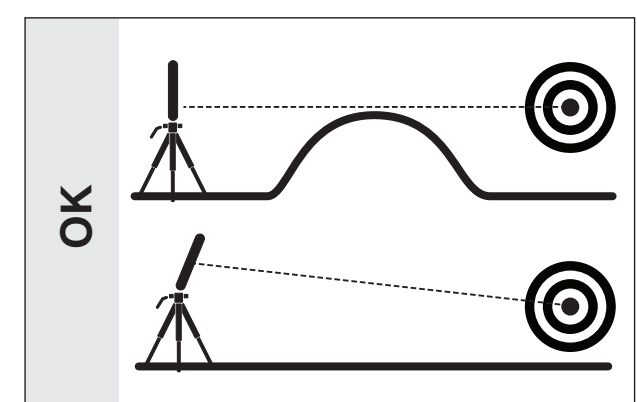
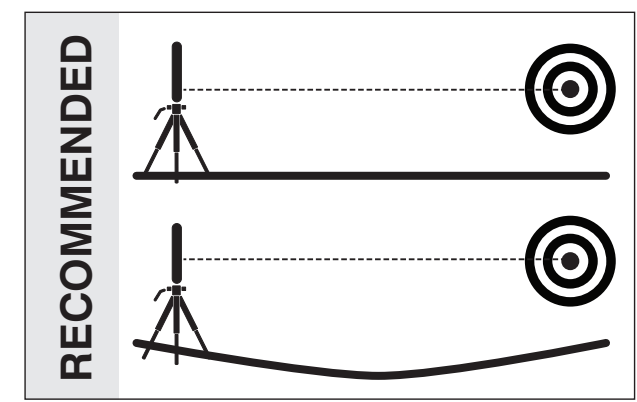
Recommended mounting configuration

- To avoid vibrations, add a sandbag or weight under the tripod.
- * Vibrations will cause velocity reading problems.
- Isolate the Labradar from the muzzle blast.

Recommended distance from target



Range recommendations

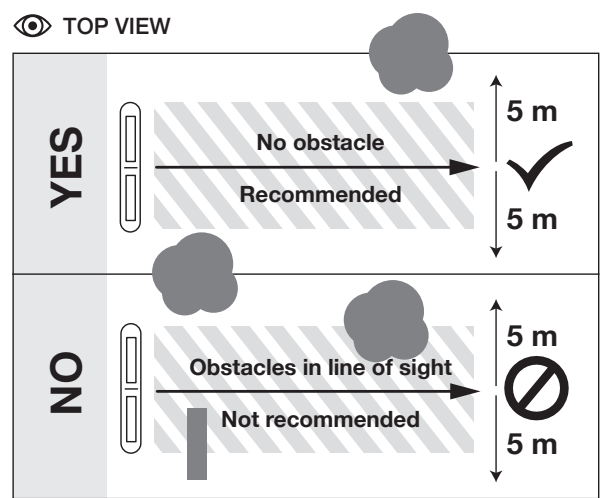


Muzzle position

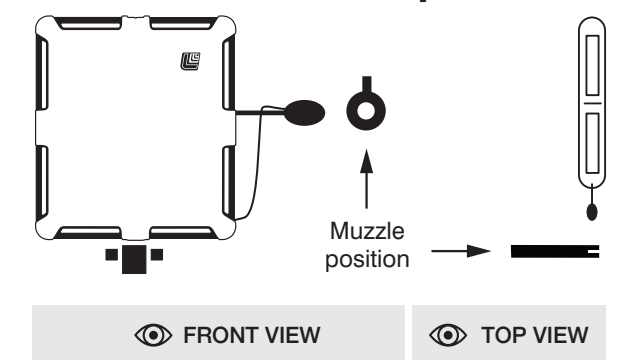
	TOP VIEW	SIDE VIEW
No Muzzle break (equal to Labradar)		
With 90° muzzle break (in front)		
With 45° muzzle break (slightly behind)		
Suppressed or rimfire (slightly behind)		
Pistol (muzzle equal to Labradar)		
Large caliber (protect Labradar from blast)		

*blast direction

Recommended range configuration



With external microphone



Trigger Level

